



| CROSS-SECTION | INFORMATION |
|---------------|--|
| | <p>name: MILANO type: OPEN code: 809257 temp. class: 3M2 working temp.: -1/+7 C power supply: 230V/50Hz refrig. supply: PLUG IN refrigerant: R455A defrosting: air fans: electrical lighting: horizontalno of rows: 4 single kind og lighting: LED doors: / type: / opened: /</p> |

| EXPOSITION SURFACES | | | | | | | |
|------------------------------|----|--------------------|---------|------------|------------------|-----------|---------------------------|
| surface | * | rows number | product | width [mm] | load height [mm] | angle [°] | load [kg/m ²] |
| hanged shelf | 1 | 2 | normal | 300 | 110 | 0 | 25 |
| bottom shelf | 2 | 1 | normal | 800 | 110 | 0 | 45 |
| CHARACTERISTIC | | | | | | | |
| module | * | [-] | | | | | 1250 |
| module length | 3 | [mm] | | | | | 1250 |
| module height | 4 | [mm] | | | | | 1200 |
| module width | 5 | [mm] | | | | | 1100 |
| display height | 6 | [mm] | | | | | 595 |
| display opening area | 7 | [m ²] | | | | | 0.74 |
| total display area (TDA) | 8 | [m ²] | | | | | 2.05 |
| visibility of products (VPA) | 9 | [m ²] | | | | | 1.32 |
| net volume | 10 | [dm ³] | | | | | 192.50 |
| refrigerated shelf area | 11 | [m ²] | | | | | 1.75 |
| net weight | 12 | [kg] | | | | | - |

| NOTICE |
|--|
| <p>* development version The information included in the Technical Data of device refers to certain equipment defined in the first page. All values and parameters are defined on the basis of standard PN EN ISO 23953 for the given temperature class, range of temperature and equipment</p> |
| RECOMMENDATIONS |
| <p>The correct work of devices enables its non-failure work with energetical rated parameters Complying with the rules of device loading guarantees the stable temperature parameters of stored products Properly selected operating parameters allow you to greatly reduce the cost of electricity consumption. THE MANUFACTURER RESERVES THE RIGHT TO ALTER THE FEATURES AND TECHNICAL SPECIFICATIONS OF ITS PRODUCTS.</p> |

| AMBIENT PARAMETERS | | | |
|--------------------|--------------------------|-------|-----|
| 1 | climate class | - | 3 |
| 2 | max. ambient temperature | [°C] | 25 |
| 3 | max. ambient humidity | [%] | 60 |
| 4 | illumination | [lux] | 200 |
| 5 | max. ambient air speed | [m/s] | 0.2 |

| DEVICE WORKING PARAMETERS | | | |
|---------------------------|--------------------------------------|-------|-----------|
| 6 | device temperature class | - | 3M2 |
| 7 | cabinet temperature | [°C] | -1/+7 |
| 8 | refr. evaporating / condensing temp. | [°C] | -10/+45 C |
| 9 | suction superheat / overcolling | [K] | |
| 10 | refrigerant | R455A | |

| COOLING DATA | | | |
|-----------------------|----|------|------|
| module | * | [-] | 1250 |
| unit cooling capacity | 11 | [W] | 1300 |
| inlet tube | 13 | [mm] | 10 |
| outlet tube | 14 | [mm] | 12 |
| refrigerant fluid | 15 | [kg] | 0.30 |

| ELECTRICAL DATA | | | |
|---------------------|----|--------|--------|
| module | * | [-] | 1250 |
| power supply | 16 | [V/Hz] | 230/50 |
| compressor | 17 | [W] | 947 |
| | 18 | [A] | 5.07 |
| defrosting, hot gas | 19 | [W] | - |
| | 20 | [A] | - |
| fans | 21 | [W] | 96 |
| | 22 | [A] | 0.51 |
| lighting | 23 | [W] | 75 |
| | 24 | [A] | 0.40 |
| heaters | 25 | [W] | 900 |
| | 26 | [A] | 4.82 |

| RATED DATA | | | |
|---------------------|----|-----|-------|
| module | * | [-] | 1250 |
| power rate, current | 27 | [W] | 2018 |
| | 28 | [A] | 10.80 |

| ELECTRICAL CONSUMPTION | | | |
|------------------------|----|-----------|-------|
| module | * | [-] | 1250 |
| TEC | 29 | [kWh/24h] | 24.22 |
| TEC/TDA | 30 | | 11.80 |
| EEl | 31 | | 76.60 |

| WORKING PARAMETERS | | | | | | | |
|--------------------|----------------------|---------|----|----|--------------------------|---------|----|
| 32 | defrosting time | [h/24h] | 2 | 34 | working time of heaters | [h/24h] | 12 |
| 33 | working time of fans | [h/24h] | 12 | 35 | working time of lighting | [h/24h] | 12 |

| PARAMETERS OF ELECTRICAL TERMINALS | | | | | | | |
|------------------------------------|---------------------|--------|--------|----|--|----------|--|
| 36 | power supply P+N+PE | [V/Hz] | 230/50 | 37 | electrical connection - plug-in socket | 230V/16A | |

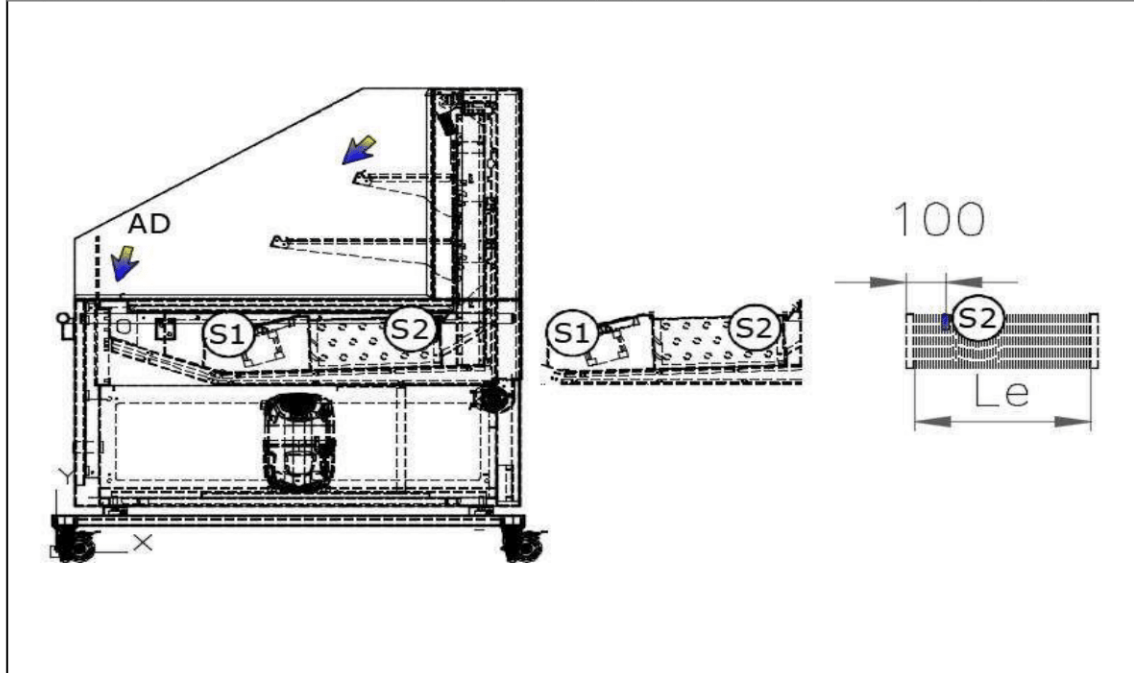
TEC - TOTAL ENERGY CONSUMPTION EEl - ENERGY EFFICIENCY

NOTICE

In the devices with night curtain or covers, the covering time is 12h.

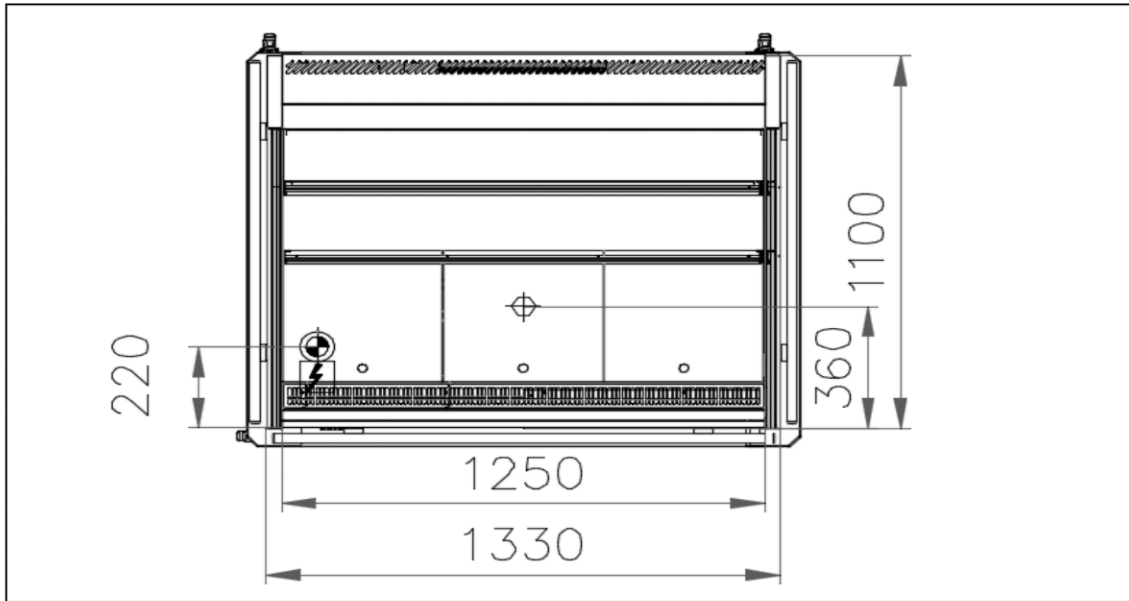
CONTROLLING PARAMETERS




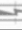

| | | | | | | | |
|---|-------------------------------|----------|-----|----|-------------------------------|---------|----|
| 1 | set point ST | [°C] | 1 | 6 | correction ST by night | [°C] | - |
| 2 | differential ST | [°C] | 2 | 7 | defrosting number | [il/24] | 4 |
| 3 | set point correction ST | [°C] | - | 8 | temperature of defrosting end | [°C] | 8 |
| 4 | fan running during defrosting | [yes/no] | yes | 9 | maximum time of defrosting | [min] | 45 |
| 5 | stop fans temperature | [°C] | - | 10 | dripping time | [min] | 0 |



| | | |
|--|---------------------------|-------------------------|
| 1 - LOCALIZATION OF CONTROL PROBE | S1 - CONTROL PROBE | Hd - DEFROSTING HEATER |
| 2 - LOCALIZATION OF DEFROSTING PROBE, DEFROSTING HEATERS | S2 - DEFROSTING PROBE | EV - EXPANSION VALVE |
| lm - MODULE LENGTH | le - LENGTH OF EVAPORATOR | AD - AIR FLOW DIRECTION |

Notice
 Automatic control system should ensure deicing from evaporator and removal of water.
 The devices in line must be controlled dependently. The control system of particular devices in line must synchronize the start and end of defrosting process
 The defrosting process should be managed by temperature. 9-th parameter should be treated as emergency.
 If the parameter number 4 is set on "no" value, the fans work depends on temperature value of defrosting probe (parameter no 5). During the dripping time of evaporator the fans dont work.
 The correction set point by night ensures the correct device work with closed curtains. The parameter beneficially influences energy savings.
 If it is necessary, please modify parameters to provide good work of device.



| | | |
|--|--|--|
|  REFRIGERATION CONNECTION UNDER DEVICE  UPPER REFRIGERATION CONNECTION |  ELECTRIC CONNECTION UNDER DEVICE  UPPER ELECTRICAL CONNECTION |  CONDENSAT WATER DRAINAGE |
| <p>NOTICE</p> <p>To arrange a device you need to ensure its correct ventilation. The surfaces of side glass must be moved from walls in order to guarantee air flow to dry them. To ensure the correct work the refrigeration devices must be moved from a wall on the distance of 50mm (remote device) and 100mm (plug-in).</p> <p>THE MANUFACTURER RESERVES THE RIGHT TO ALTER THE FEATURES AND TECHNICAL SPECIFICATIONS OF ITS PRODUCTS.</p> | | |