



CROSS-SECTION	INFORMATION
	<p>name: MILANO type: OPEN code: 809256 temp. class: 3M2 working temp.: -1/+7 C power supply: 230V/50Hz refrig. supply: PLUG IN refrigerant: R455A defrosting: air fans: electrical lighting: horizontal no of rows: 4 single kind og lighting: LED doors: / type: / opened: /</p>

EXPOSITION SURFACES							
surface	*	rows number	product	width [mm]	load height [mm]	angle [°]	load [kg/m2]
hanged shelf	1	2	normal	300	110	0	25
bottom shelf	2	1	normal	800	110	0	45
CHARACTERISTIC							
module	*	[-]					1875
module length	3	[mm]					1875
module height	4	[mm]					1200
module width	5	[mm]					1100
display height	6	[mm]					595
display opening area	7	[m2]					1.12
total display area (TDA)	8	[m2]					2.42
visibility of products (VPA)	9	[m2]					1.32
net volume	10	[dm3]					288.75
refrigerated shelf area	11	[m2]					2.63
net weight	12	[kg]					-

<p>NOTICE * development version The information included in the Technical Data of device refers to certain equipment defined in the first page. All values and parameters are defined on the basis of standard PN EN ISO 23953 for the given temperature class, range of temperature and equipment</p>
<p>RECOMMENDATIONS The correct work of devices enables its non-failure work with energetical rated parameters Complying with the rules of device loading guarantees the stable temperature parameters of stored products Properly selected operating parameters allow you to greatly reduce the cost of electricity consumption. THE MANUFACTURER RESERVES THE RIGHT TO ALTER THE FEATURES AND TECHNICAL SPECIFICATIONS OF ITS PRODUCTS.</p>

AMBIENT PARAMETERS			
1	climate class	-	3
2	max. ambient temperature	[°C]	25
3	max. ambient humidity	[%]	60
4	illumination	[lux]	200
5	max. ambient air speed	[m/s]	0.2

DEVICE WORKING PARAMETERS			
6	device temperature class	-	3M2
7	cabinet temperature	[°C]	-1/+7
8	refr. evaporating / condensing temp.	[°C]	-10/+45 C
9	suction superheat / overcolling	[K]	
10	refrigerant	R455A	

COOLING DATA			
module	*	[-]	1875
unit cooling capacity	11	[W]	1800
inlet tube	13	[mm]	10
outlet tube	14	[mm]	12
refrigerant fluid	15	[kg]	0.45

ELECTRICAL DATA			
module	*	[-]	1875
power supply	16	[V/Hz]	230/50
compressor	17	[W]	1180
	18	[A]	6.31
defrosting, hot gas	19	[W]	-
	20	[A]	-
fans	21	[W]	96
	22	[A]	0.51
lighting	23	[W]	112
	24	[A]	0.60
heaters	25	[W]	900
	26	[A]	4.82

RATED DATA			
module	*	[-]	1875
power rate, current	27	[W]	2288
	28	[A]	12.24

ELECTRICAL CONSUMPTION			
module	*	[-]	1875
TEC	29	[kWh/24h]	27.46
TEC/TDA	30		11.32
EEl	31		73.53

WORKING PARAMETERS							
32	defrosting time	[h/24h]	2	34	working time of heaters	[h/24h]	12
33	working time of fans	[h/24h]	12	35	working time of lighting	[h/24h]	12

PARAMETERS OF ELECTRICAL TERMINALS							
36	power supply P+N+PE	[V/Hz]	230/50	37	electrical connection - plug-in socket	230V/16A	

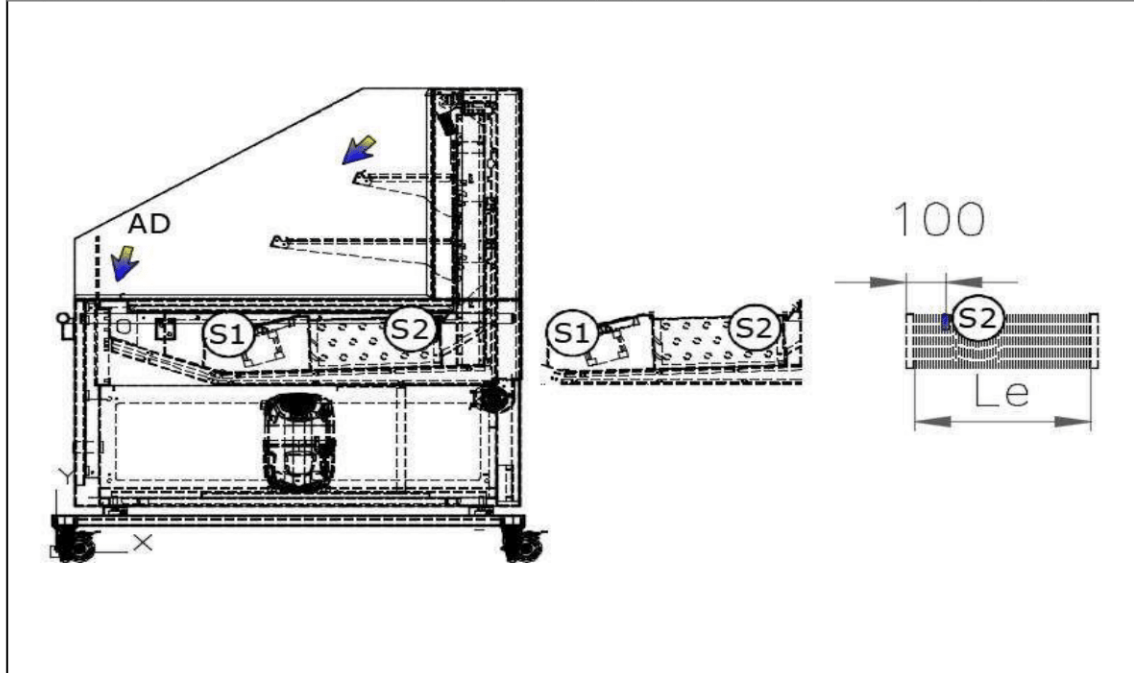
TEC - TOTAL ENERGY CONSUMPTION EEl - ENERGY EFFICIENCY

NOTICE

In the devices with night curtain or covers, the covering time is 12h.

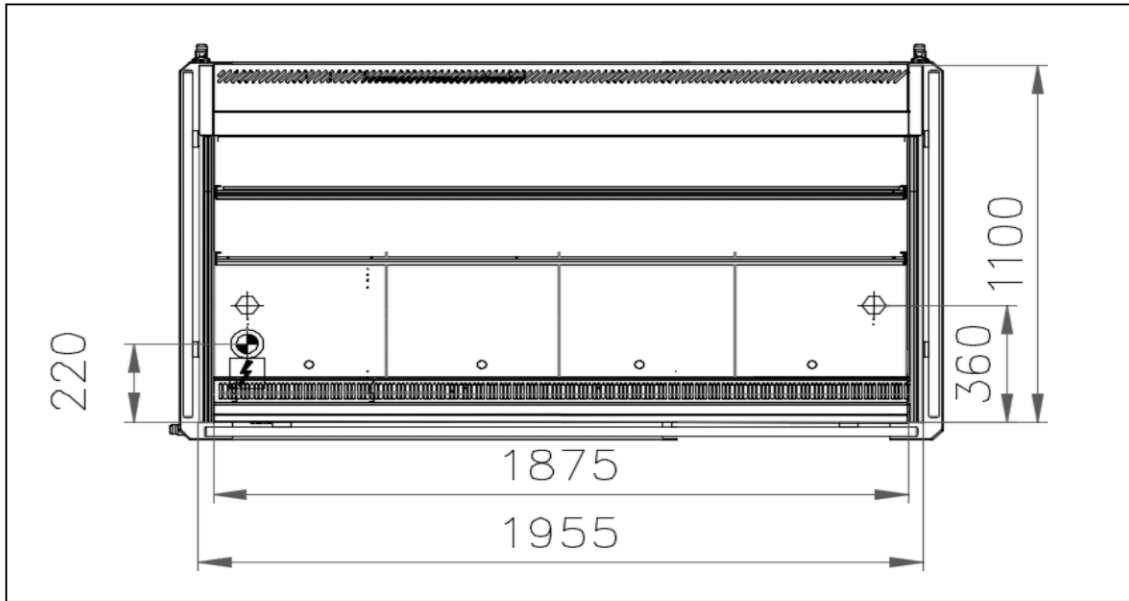
CONTROLLING PARAMETERS




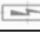

1	set point ST	[°C]	1	6	correction ST by night	[°C]	-
2	differential ST	[°C]	2	7	defrosting number	[il/24]	4
3	set point correction ST	[°C]	-	8	temperature of defrosting end	[°C]	8
4	fan running during defrosting	[yes/no]	yes	9	maximum time of defrosting	[min]	45
5	stop fans temperature	[°C]	-	10	dripping time	[min]	0



1 - LOCALIZATION OF CONTROL PROBE	S1 - CONTROL PROBE	Hd - DEFROSTING HEATER
2 - LOCALIZATION OF DEFROSTING PROBE, DEFROSTING HEATERS	S2 - DEFROSTING PROBE	EV - EXPANSION VALVE
lm - MODULE LENGTH	le - LENGTH OF EVAPORATOR	AD - AIR FLOW DIRECTION

Notice
 Automatic control system should ensure deicing from evaporator and removal of water.
 The devices in line must be controlled dependently. The control system of particular devices in line must synchronize the start and end of defrosting process
 The defrosting process should be managed by temperature. 9-th parameter should be treated as emergency.
 If the parameter number 4 is set on "no" value, the fans work depends on temperature value of defrosting probe (parameter no 5). During the dripping time of evaporator the fans dont work.
 The correction set point by night ensures the correct device work with closed curtains. The parameter beneficially influences energy savings.
 If it is necessary, please modify parameters to provide good work of device.



 REFRIGERATION CONNECTION UNDER DEVICE  UPPER REFRIGERATION CONNECTION	 ELECTRIC CONNECTION UNDER DEVICE  UPPER ELECTRICAL CONNECTION	 CONDENSAT WATER DRAINAGE
<p>NOTICE To arrange a device you need to ensure its correct ventilation. The surfaces of side glass must be moved from walls in order to guarantee air flow to dry them. To ensure the correct work the refrigeration devices must be moved from a wall on the distance of 50mm (remote device) and 100mm (plug-in). THE MANUFACTURER RESERVES THE RIGHT TO ALTER THE FEATURES AND TECHNICAL SPECIFICATIONS OF ITS PRODUCTS.</p>		